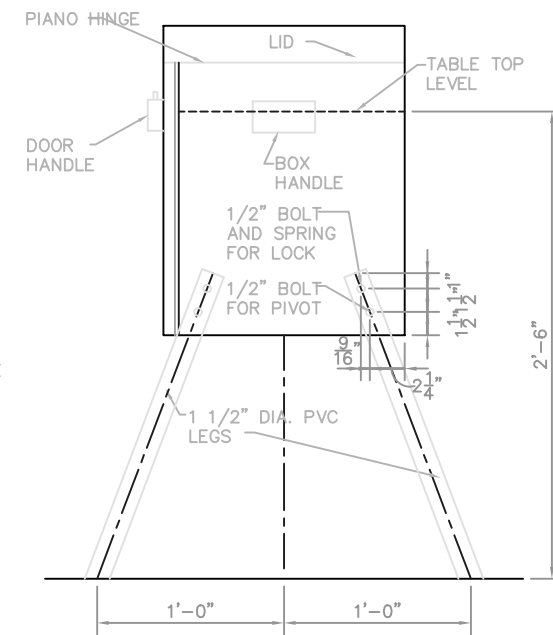
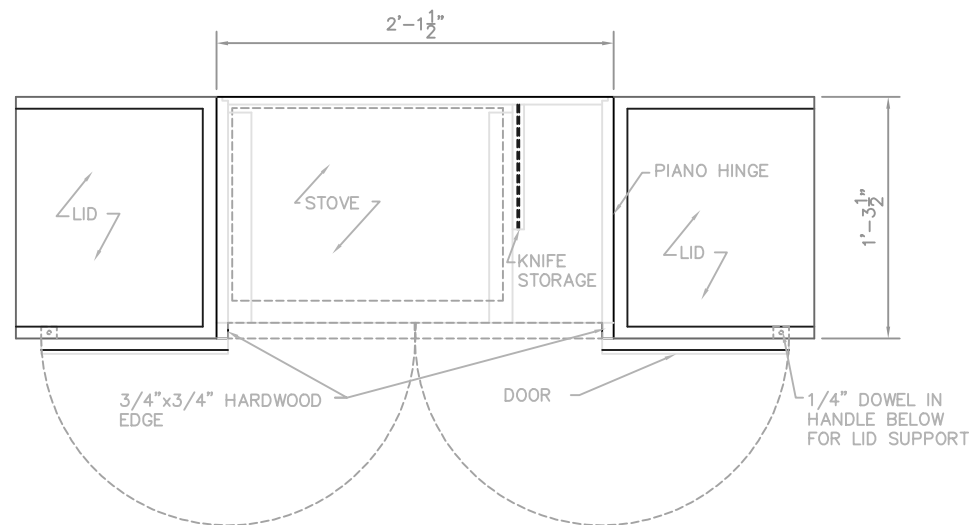


FRONT ELEVATION

1/2"=1'-0"

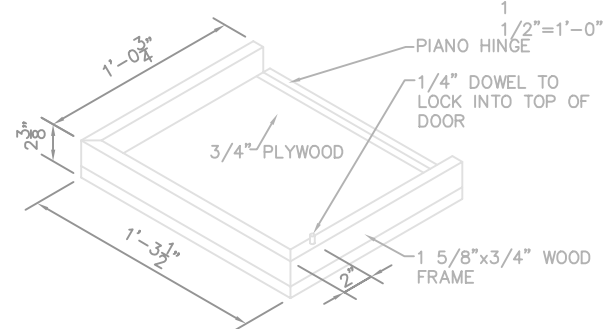


SIDE ELEVATION

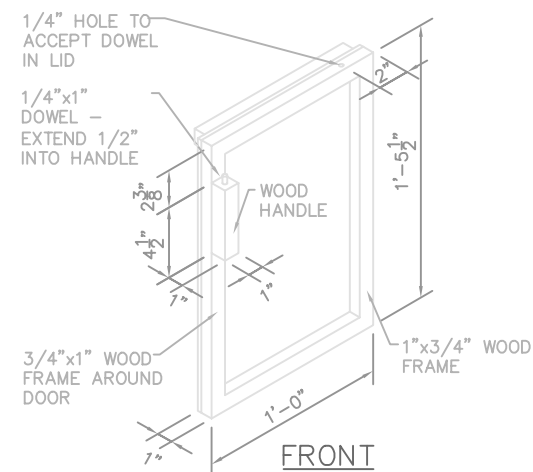


PLAN

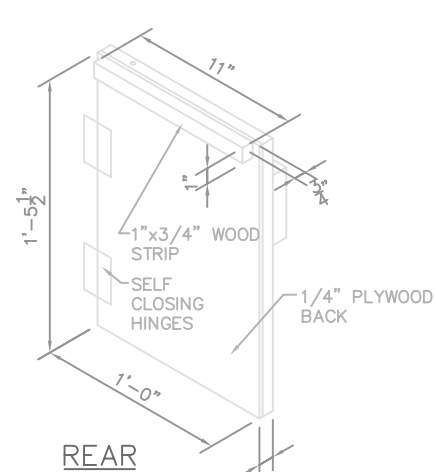
1/2"=1'-0"



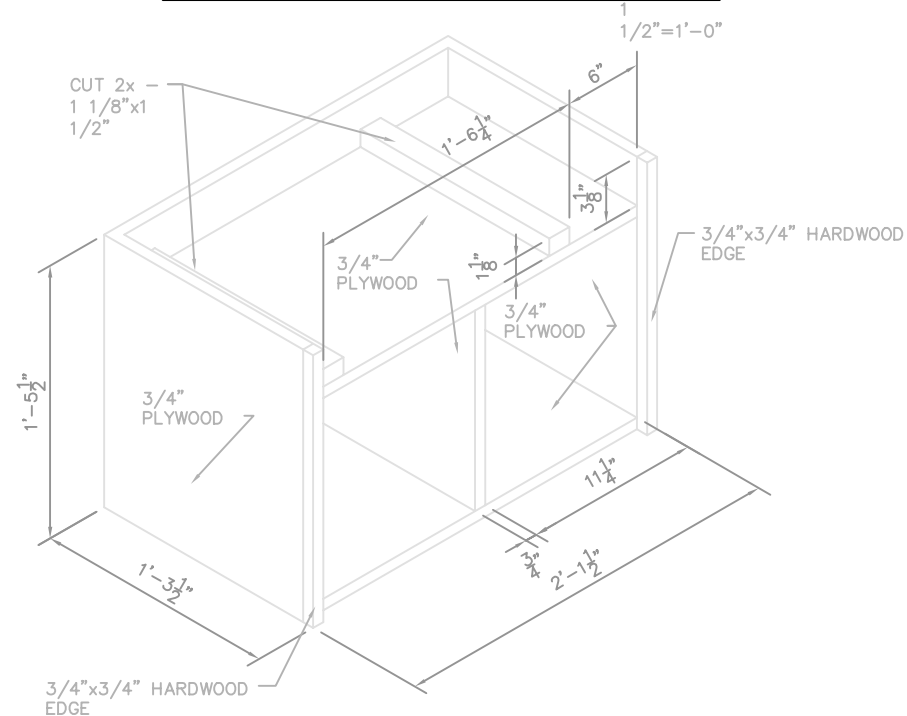
LID DETAIL



DOOR DETAILS



REAR



BOX DETAIL

DESIGNED BY:  
JIMMY MAYNARD - TROOP 94  
GREATER ALABAMA COUNCIL  
CREEK DISTRICT

DRAWN BY:  
JAMIE BROWN - TROOP 86  
GREATER ALABAMA COUNCIL  
CREEK DISTRICT

CHUCKBOX